

HOTBED 23  
 DIR2 24  
 PW\_DET 25  
 EN2 26  
 MT\_DET1 29  
 WIFI\_CTRL30  
 STEP2 31  
 SPI2\_NSS 32  
 IO0 67  
 TXD1 68  
 RXD1 69  
 Z- 70  
 PA11  
 PA12  
 PA13  
 PA14  
 PA15

HEATER2 35  
 E\_FAN 36  
 PB2 37  
 EN1 89  
 DIR5 90  
 STEPS 91  
 I2C\_SCL 92  
 I2C\_SDA 93  
 ENS 95  
 DIR4 96  
 TXD0 47  
 RXD0 48  
 FL\_CS 51  
 SPI2\_SCK 52  
 SPI2\_MISO53  
 SPI2\_MOSI54

TB 15  
 TH1 16  
 TH2 17  
 HEATER1 18  
 Z+ 33  
 BEEPER 34  
 FSMC\_RST63  
 IO1 64  
 SD\_MISO 65  
 SD\_D1 66  
 SD\_D2 78  
 SD\_CS 79  
 SD\_SCK 80

PC0  
 PC1  
 PC2  
 PC3  
 PC4  
 PC5  
 PC6  
 PC7  
 PC8  
 PC9  
 PC10  
 PC11  
 PC12

PC13-T-R  
 PC14-OSC32-I  
 PC15-OSC32-O

PA0-WKUP  
 PA1  
 PA2  
 PA3  
 PA4  
 PA5  
 PA6  
 PA7  
 PA8  
 PA9  
 PA10  
 PA11  
 PA12  
 PA13  
 PA14  
 PA15

PB0  
 PB1  
 PB2  
 PB3  
 PB4  
 PB5  
 PB6  
 PB7  
 PB8  
 PB9  
 PB10  
 PB11  
 PB12  
 PB13  
 PB14  
 PB15

PD0  
 PD1  
 PD2  
 PD3  
 PD4  
 PD5  
 PD6  
 PD7  
 PD8  
 PD9  
 PD10  
 PD11  
 PD12  
 PD13  
 PD14  
 PD15

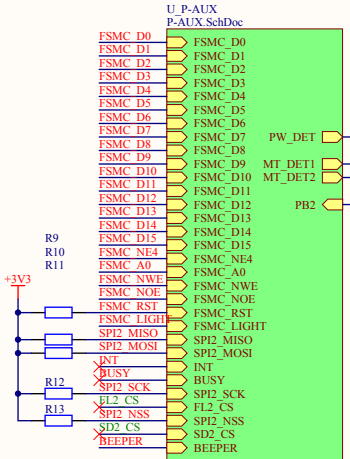
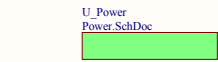
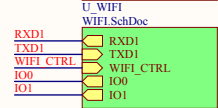
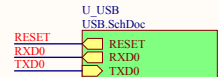
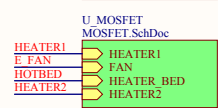
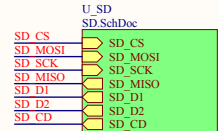
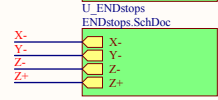
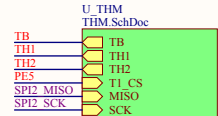
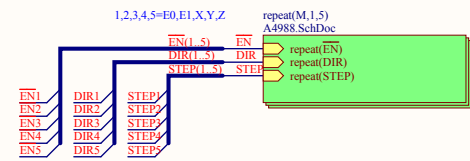
PE0  
 PE1  
 PE2  
 PE3  
 PE4  
 PE5  
 PE6  
 PE7  
 PE8  
 PE9  
 PE10  
 PE11  
 PE12  
 PE13  
 PE14  
 PE15

FSMC\_D12  
 FSMC\_D11  
 FSMC\_D10  
 FSMC\_D9  
 FSMC\_D8  
 FSMC\_D7  
 FSMC\_D6  
 FSMC\_D5  
 FSMC\_D4  
 MT\_DET2  
 PE5  
 EN3  
 STEP3  
 DIR3  
 EN4  
 STEP4

FSMC\_D1  
 FSMC\_D0  
 FSMC\_LIGHT  
 SD\_CD  
 FSMC\_A0  
 FSMC\_D15  
 FSMC\_D14  
 FSMC\_D13  
 FSMC\_NE4  
 STEPI  
 FSMC\_NWE  
 FSMC\_NOE  
 DIR1  
 SD\_MOSI  
 FSMC\_D3  
 FSMC\_D2

VDDA  
 VSSA  
 NC  
 BOOT0  
 VBAT  
 OSC\_IN  
 OSC\_OUT  
 NRST  
 VREF+  
 VREF-

VSSI  
 VSS2  
 NSSA  
 NSS4  
 VSS5



1

2

3

4

A

A

B

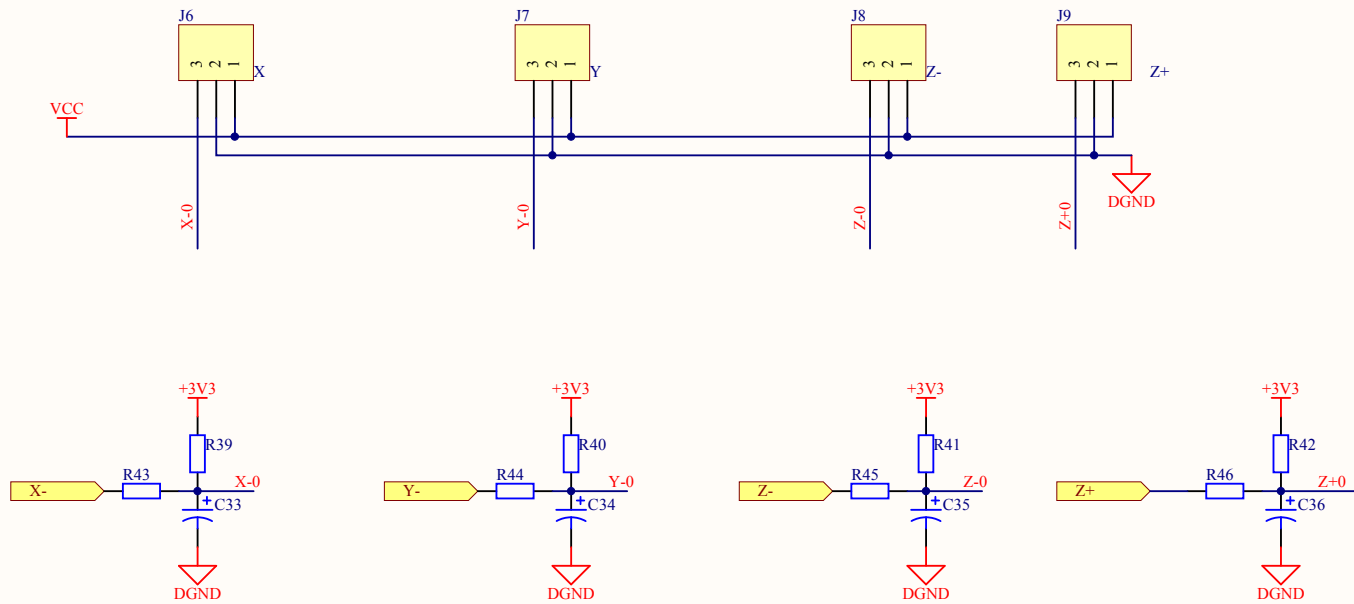
B

C

C

D

D



1

2

3

4

A

A

B

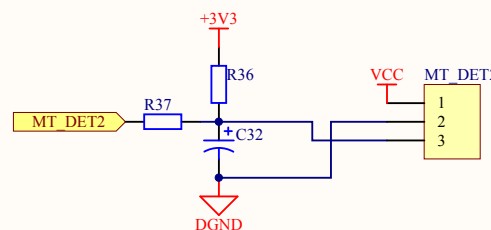
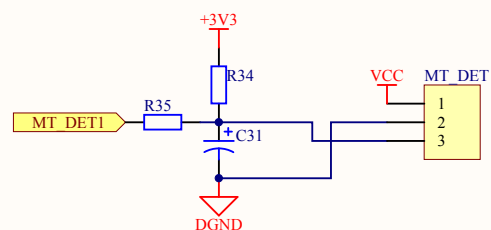
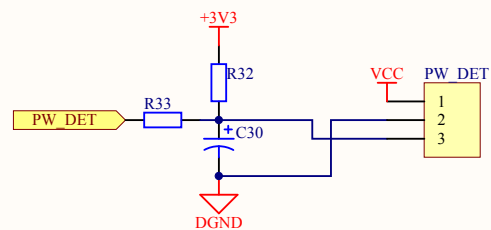
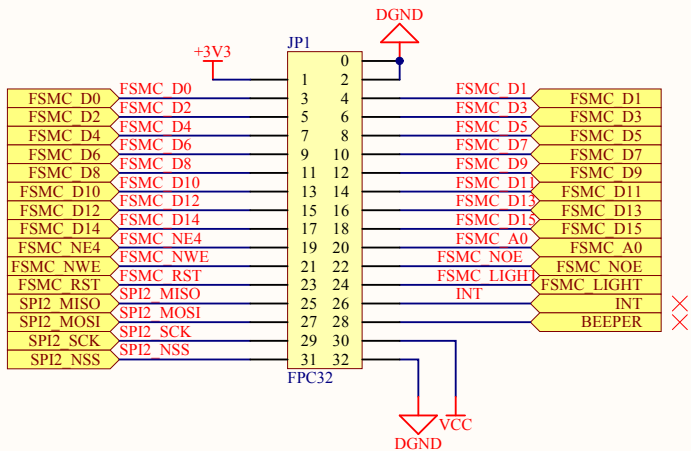
B

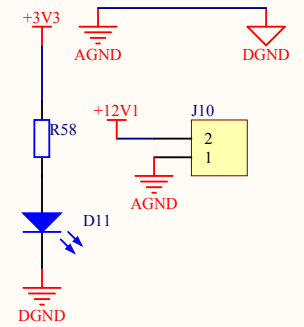
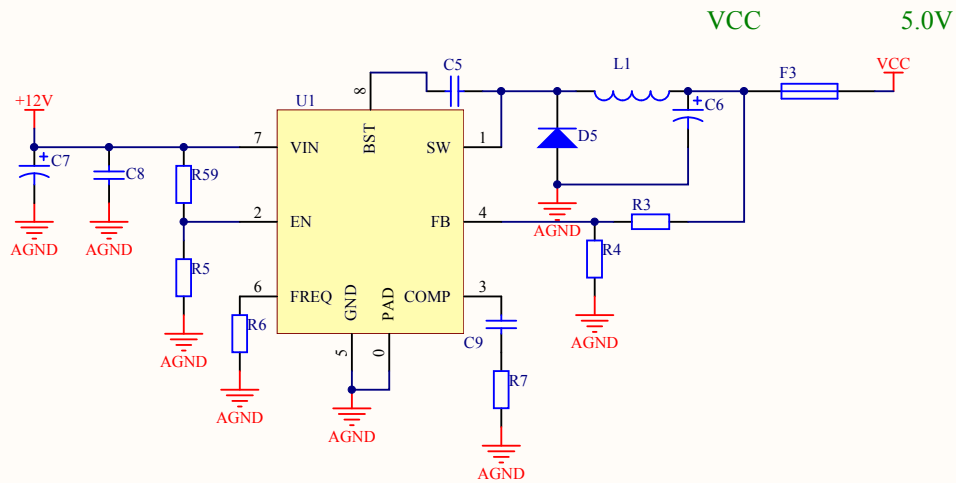
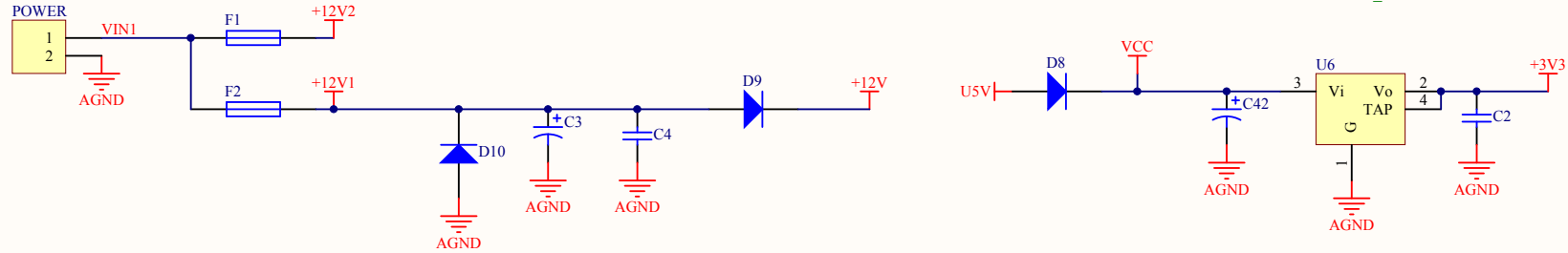
C

C

D

D





1

2

3

4

A

A

B

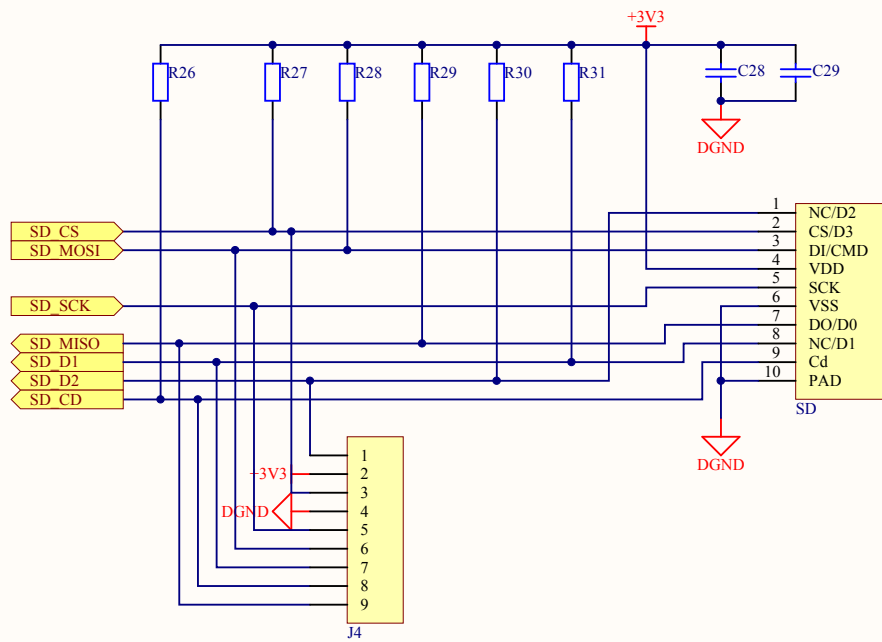
B

C

C

D

D



1

2

3

4

A

A

B

B

C

C

D

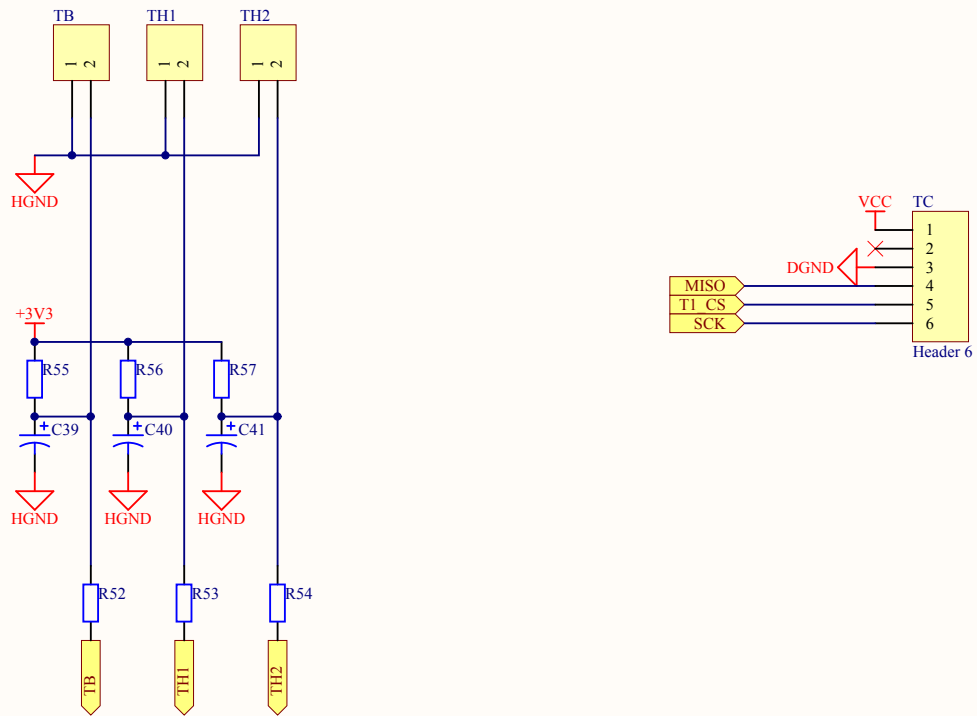
D

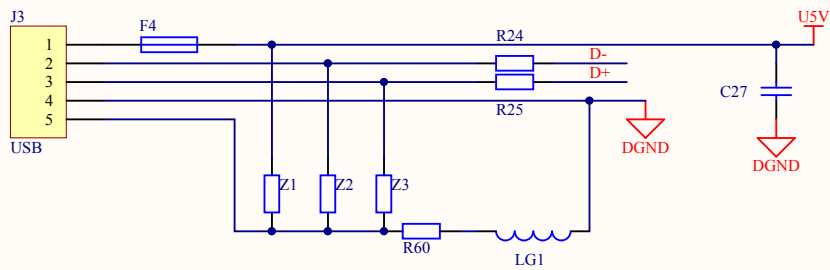
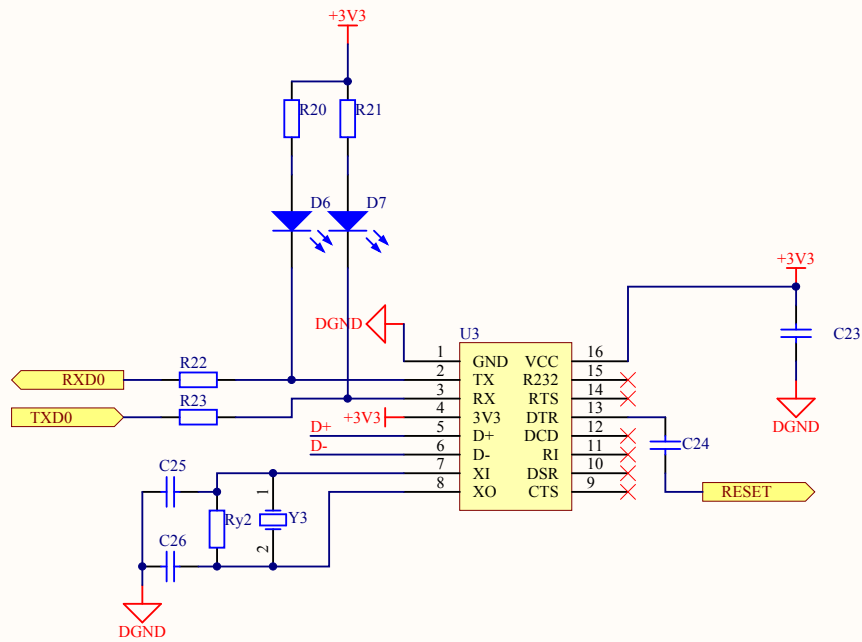
1

2

3

4





1

2

3

4

A

A

B

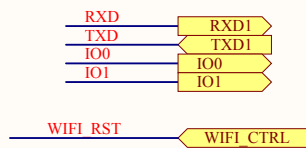
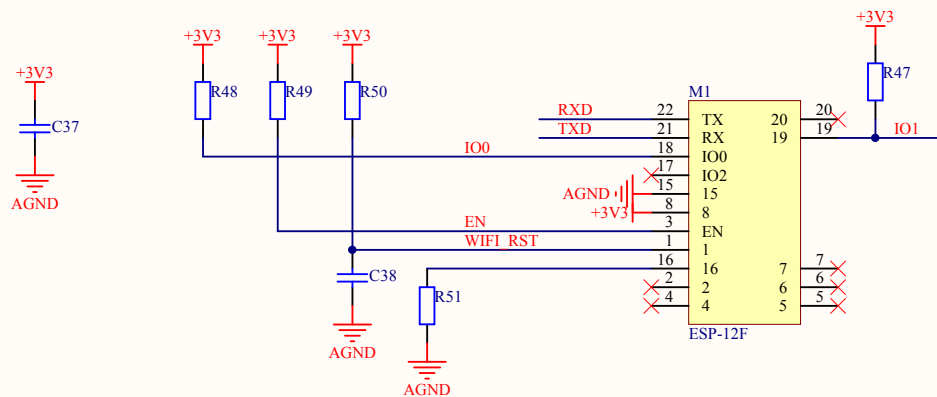
B

C

C

D

D



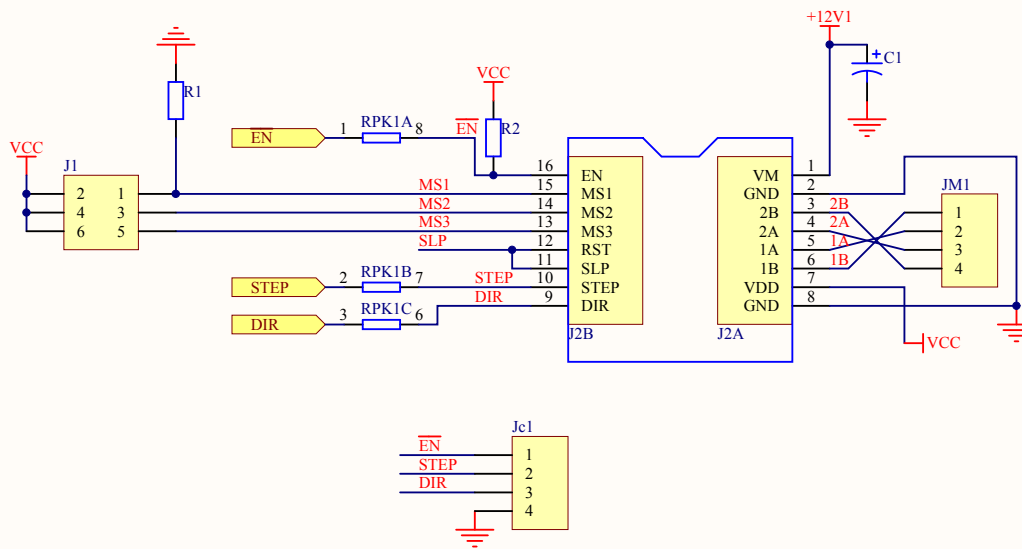
1

2

3

4





1

2

3

4

A

A

B

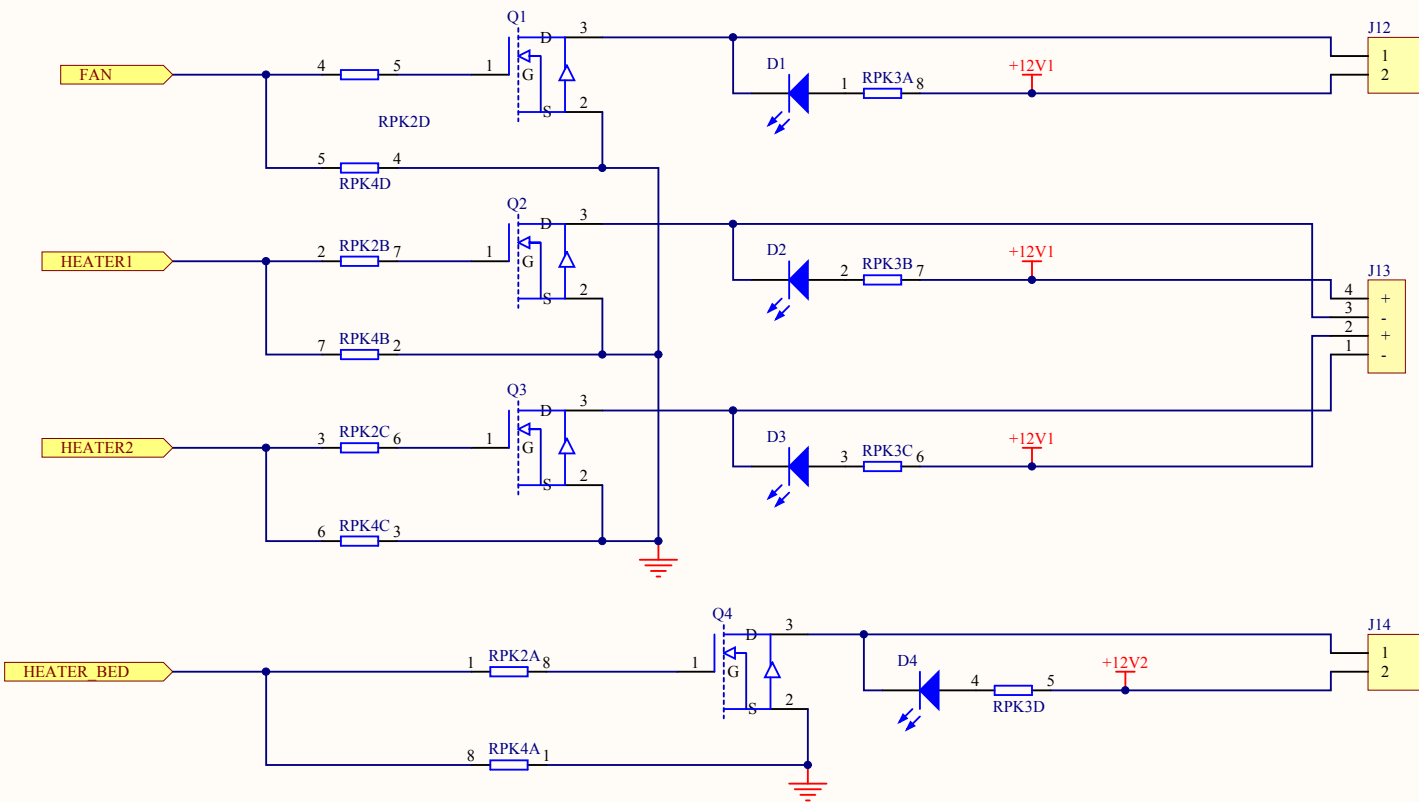
B

C

C

D

D



1

2

3

4