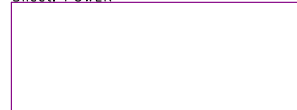


Sheet: STM32F103VET6



File: STM32F103VET6.sch

Sheet: POWER



File: POWER.sch

Sheet: MOSFET



File: MOSFET.sch

Sheet: THM



File: THM.sch

Sheet: ENDSTOP



File: ENDSTOP.sch

Sheet: SD



File: SD.sch

Sheet: USB



File: USB.sch

Sheet: WIFI



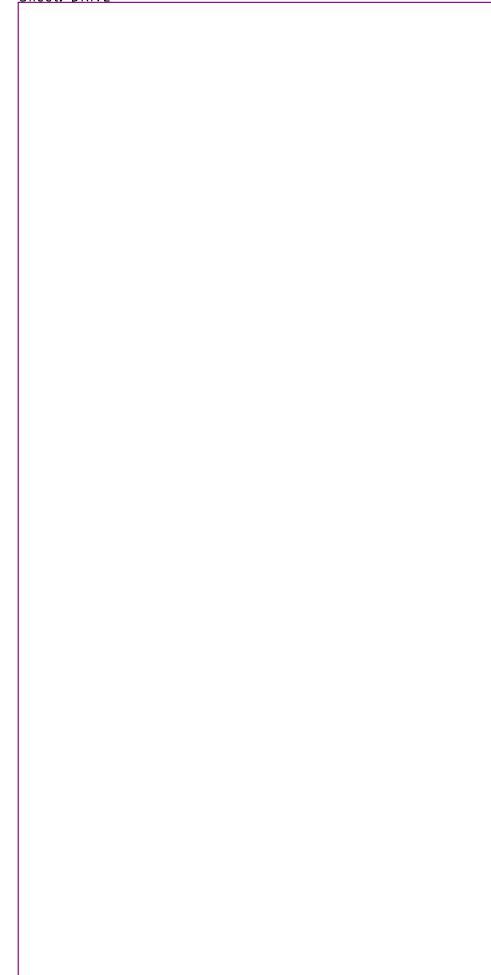
File: WIFI.sch

Sheet: P-AUX



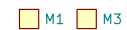
File: P-AUX.sch

Sheet: DRIVE



File: DRIVE.sch

FID1 FID2 FID3
Fiducial Fiducial Fiducial



Github : <https://github.com/makerbase-mks>
FaceBook : <https://www.facebook.com/Makerbase.mks/>

Makerbase

Sheet: /
File: MKS Robin Nano-S.sch

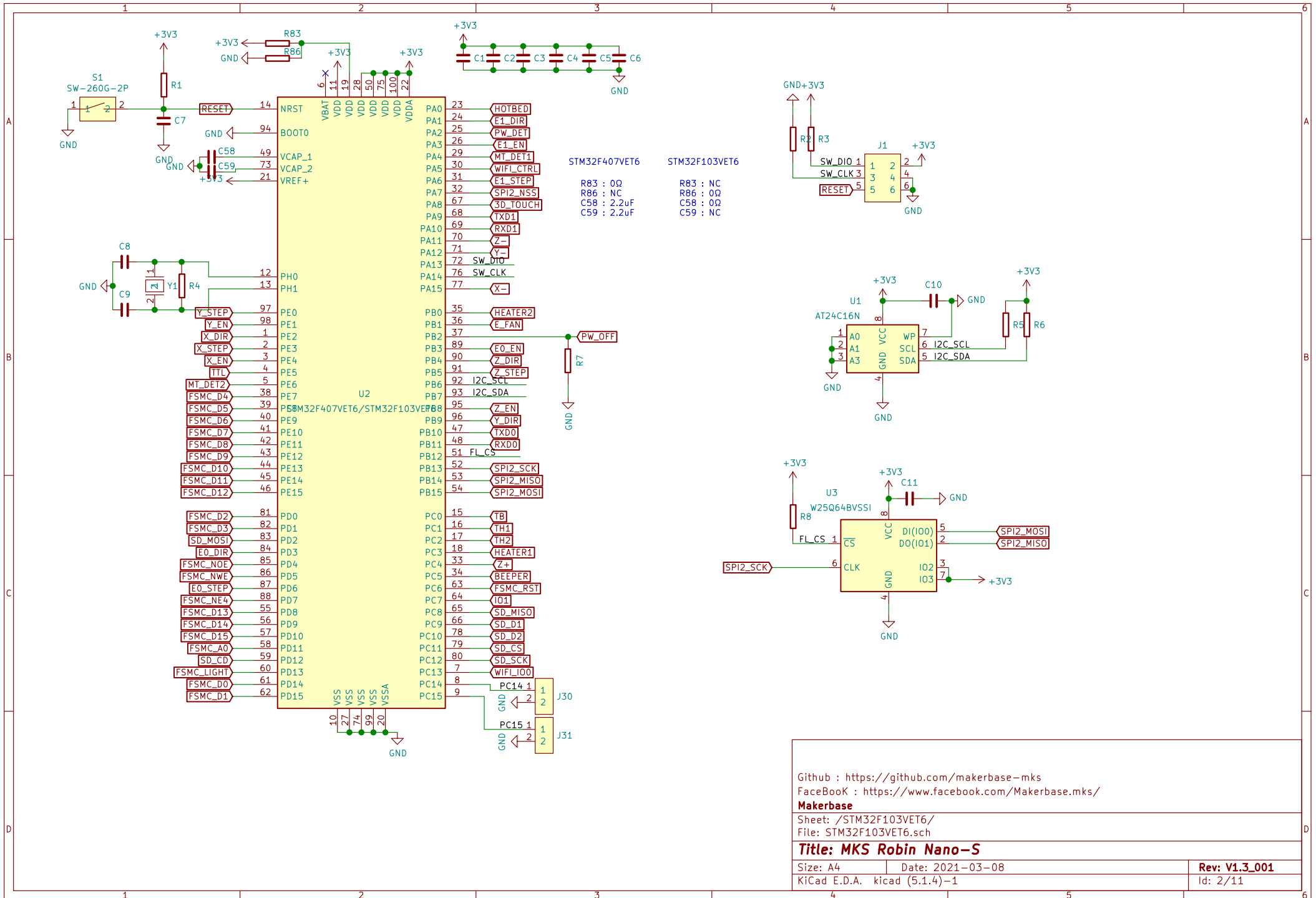
Title: MKS Robin Nano-S

Size: A4 Date: 2021-03-08

KiCad E.D.A. kicad (5.1.4)-1

Rev: V1.3_001

Id: 1/11



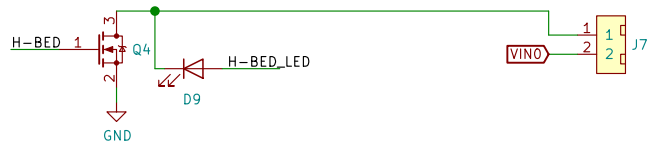
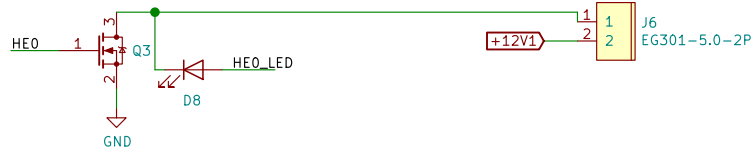
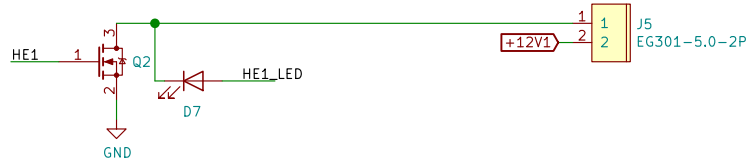
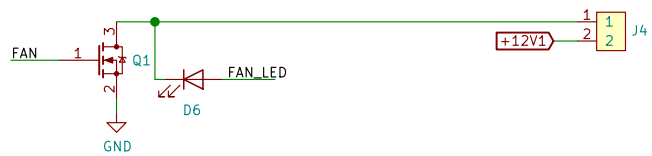
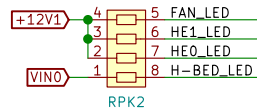
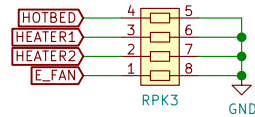
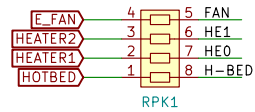
Github : <https://github.com/makerbase-mks>
 FaceBook : <https://www.facebook.com/Makerbase.mks/>

Makerbase

Sheet: /STM32F103VET6/
 File: STM32F103VET6.sch

Title: MKS Robin Nano-S

Size: A4	Date: 2021-03-08	Rev: V1.3_001
KiCad E.D.A. kicad (5.1.4)-1		Id: 2/11



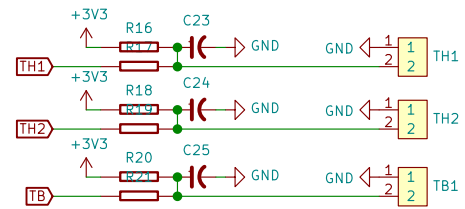
Github : <https://github.com/makerbase-mks>
 FaceBook : <https://www.facebook.com/Makerbase.mks/>
Makerbase

Sheet: /MOSFET/
 File: MOSFET.sch

Title: MKS Robin Nano-S

Size: A4 | Date: 2021-03-08
 KiCad E.D.A. kicad (5.1.4)-1

Rev: V1.3_001
 Id: 4/11



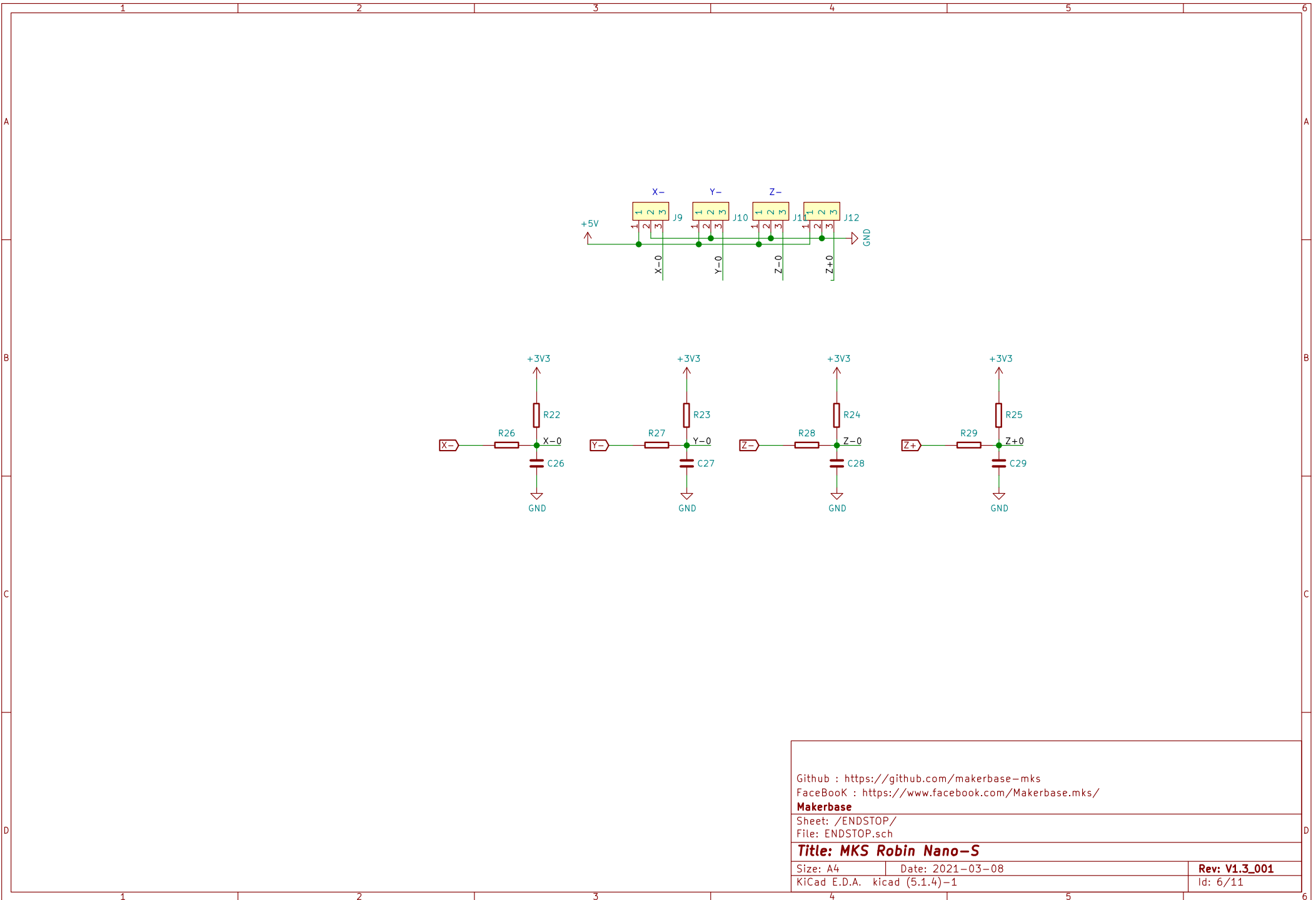
Github : <https://github.com/makerbase-mks>
 FaceBook : <https://www.facebook.com/Makerbase.mks/>

Makerbase
 Sheet: /THM/
 File: THM.sch

Title: MKS Robin Nano-S

Size: A4 Date: 2021-03-08
 KiCad E.D.A. kicad (5.1.4)-1

Rev: V1.3_001
 Id: 5/11



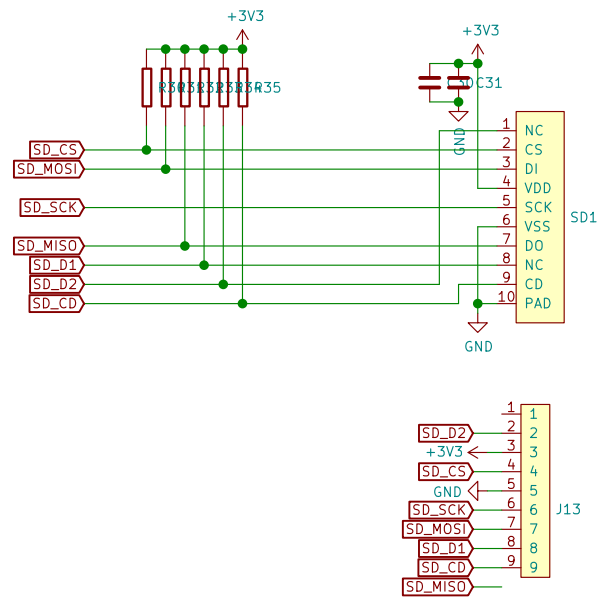
Github : <https://github.com/makerbase-mks>
 FaceBook : <https://www.facebook.com/Makerbase.mks/>
Makerbase

Sheet: /ENDSTOP/
 File: ENDSTOP.sch

Title: MKS Robin Nano-S

Size: A4 | Date: 2021-03-08
 KiCad E.D.A. kicad (5.1.4)-1

Rev: V1.3_001
 Id: 6/11



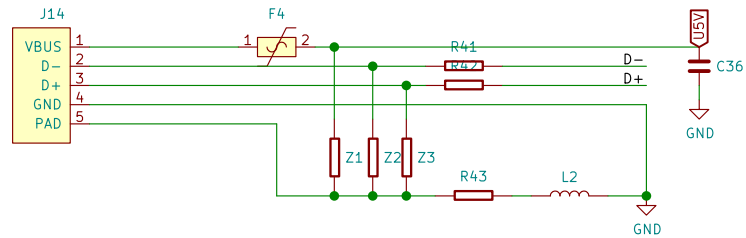
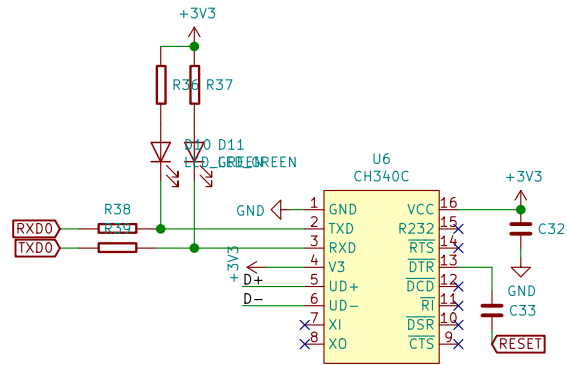
Github : <https://github.com/makerbase-mks>
 FaceBook : <https://www.facebook.com/Makerbase.mks/>

Makerbase

Sheet: /SD/
 File: SD.sch

Title: MKS Robin Nano-S

Size: A4	Date: 2021-03-08	Rev: V1.3_001
KiCad E.D.A. kicad (5.1.4)-1		Id: 7/11



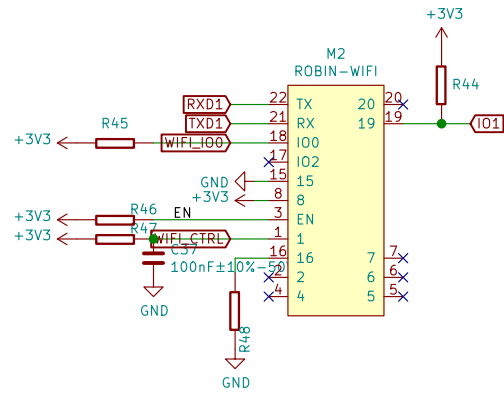
Github : <https://github.com/makerbase-mks>
 FaceBook : <https://www.facebook.com/Makerbase.mks/>
Makerbase

Sheet: /USB/
 File: USB.sch

Title: MKS Robin Nano-S

Size: A4 | Date: 2021-03-08
 KiCad E.D.A. kicad (5.1.4)-1

Rev: V1.3_001
 Id: 8/11



Github : <https://github.com/makerbase-mks>
 FaceBook : <https://www.facebook.com/Makerbase.mks/>

Makerbase

Sheet: /WIFI/
 File: WIFI.sch

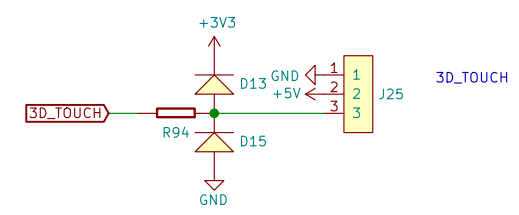
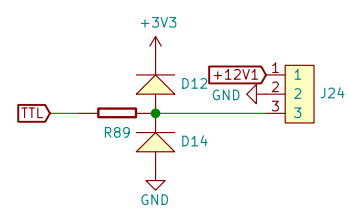
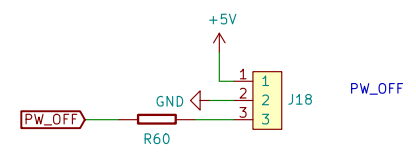
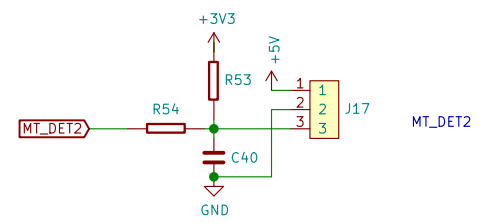
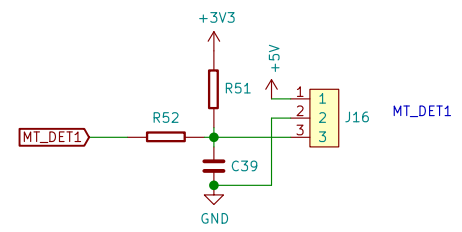
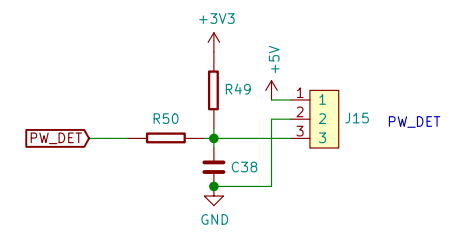
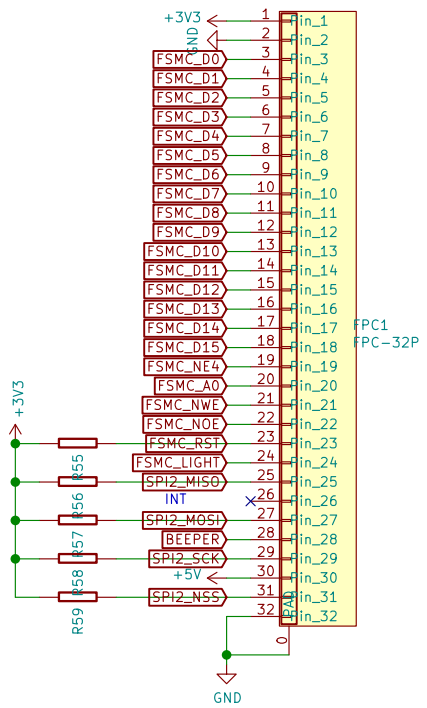
Title: MKS Robin Nano-S

Size: A4 Date: 2021-03-08

Rev: V1.3_001

KiCad E.D.A. kicad (5.1.4)-1

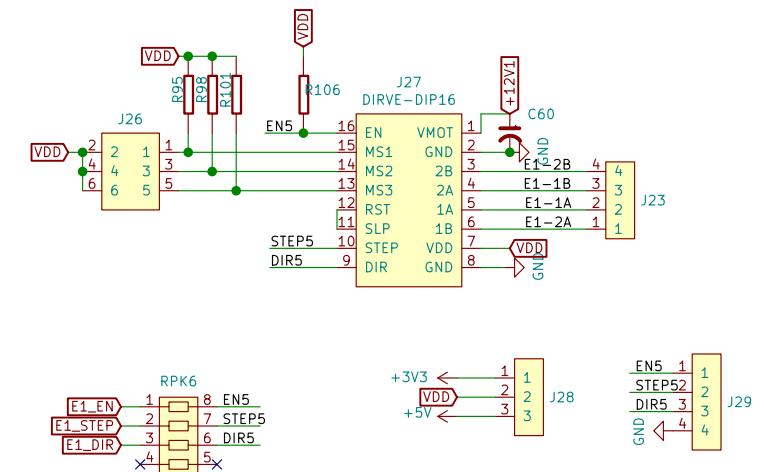
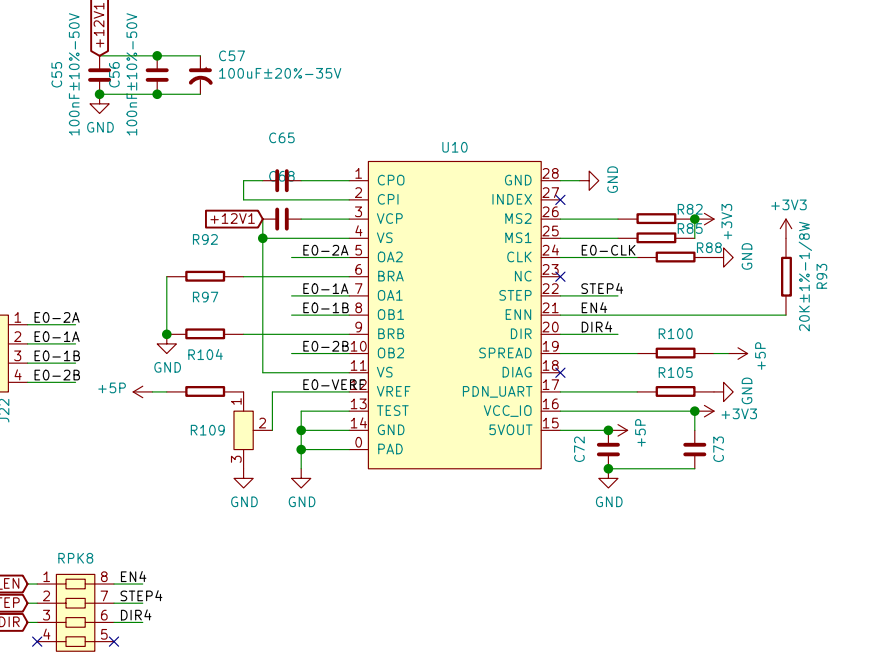
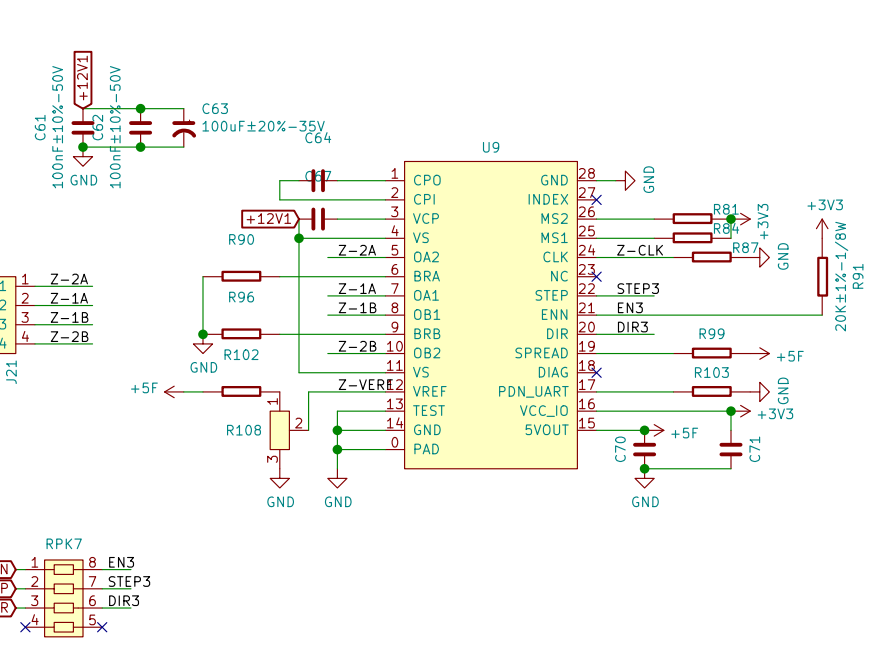
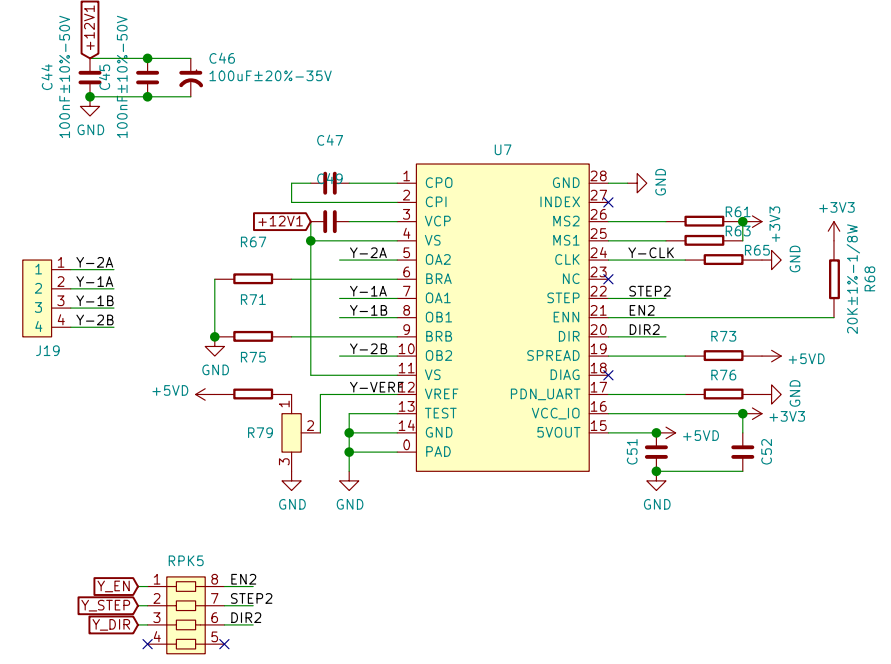
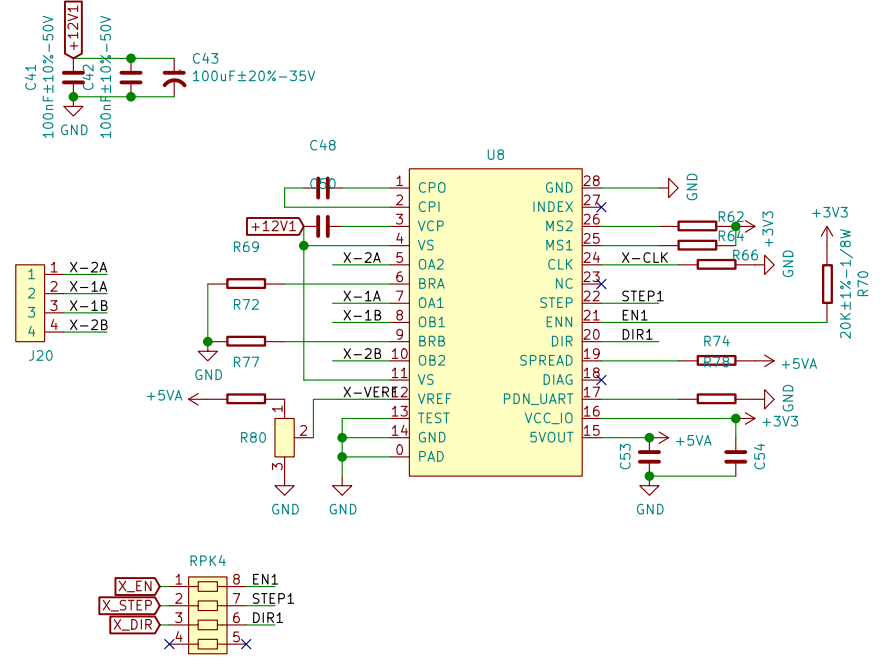
Id: 9/11



Github : <https://github.com/makerbase-mks>
 FaceBook : <https://www.facebook.com/Makerbase.mks/>
Makerbase
 Sheet: /P-AUX/
 File: P-AUX.sch

Title: MKS Robin Nano-S

Size: A4	Date: 2021-03-08	Rev: V1.3_001
KiCad E.D.A. kicad (5.1.4)-1		Id: 10/11



Github : <https://github.com/makerbase-mks>
 FaceBook : <https://www.facebook.com/Makerbase.mks/>
Makerbase
 Sheet: /DRIVE/
 File: DRIVE.sch
Title: MKS Robin Nano-S
 Size: A3 | Date: 2021-03-08 | Rev: V1.3_001
 KiCad E.D.A. kicad (5.1.4)-1 | Id: 11/11